

SPEAKERS



NEXT

Buzzers.....282-284

Earphones

Ceramic280

Dynamic280

Ear Support280

Microphones

Ceramic280

Crystal280

Dynamic280

Omni-Directional.....280

Piezo-Buzzers.....283, 284

Signal Devices

Accessories

Compression Washer.....282

Signal Devices (cont.)

Buzzers282-284

Continuous Tone282

Indicator283

Intermittent Tone282

Multi Tone282

Piezo283, 284

Sirens284

Sonalert282

Transducer280, 283, 284

Sirens284

Speakers

Accessories

Audio Transformer281

Compression Terminal281

Compression Terminal Block281

Rear Speaker Coupling.....281

Speaker Mounting Clip.....281

Speakers (cont.)

External Paging281

Mylar281

Oval281

Plastic Mylar281

Round281

Square281

Transducers.....280, 283, 284

Manufacturers:

Deltron281

Kobitone280, 281, 284

Mallory.....282-284

OBO284

**Main
Menu**

**New
This Issue**

Products

Vendors

Service

**Spec
Sheets**

Help

KOBITONE™ Microphone Elements and Earphones

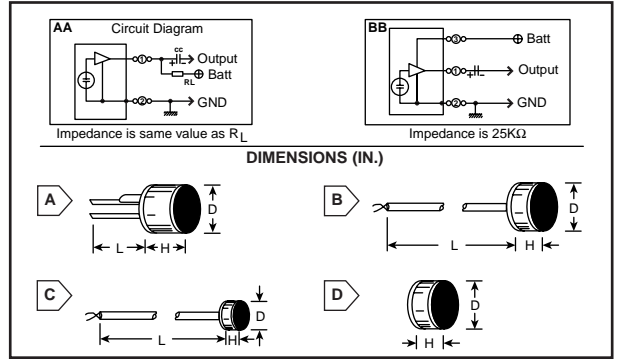
AUDIO COMPANY

OMNI-DIRECTIONAL ELECTRET CONDENSER MICROPHONE ELEMENTS

- Omni-directional
- Operates from 2 to 10VDC
- Less than 1mA current drain
- Solid aluminum housings
- More than 40dB signal-to-noise ratio

For quantities greater than listed, call for quote.

MOUSER STOCK NO.	Fig.	Circuit Diagram	Frequency Response (Hz)	Sensitivity (dB)	Lead Length (L)	Dimensions (In)		Price Each			
						Dia.	Ht.	1	10	100	500
25LM040	A	AA	50 - 13K	-64	.24	.39	.35	1.67	1.27	1.17	1.09
25LM041	B	AA	50 - 10K	-64	5.9	.39	.22	3.39	2.82	2.57	2.33
25LM042	C	AA	50 - 10K	-64	5.9	.26	.22	4.17	3.50	3.16	2.88
25LM043	D	AA	20 - 12K	-64	---	.39	.27	1.32	1.07	.97	.88
25LM045	B	AA	20 - 12K	-64	5.9	.39	.27	2.29	1.78	1.61	1.46
25LM046	D	AA	50 - 15K	-65	---	.197	.098	7.33	6.11	5.56	5.05
25LM044	B	BB	50 - 10K	-64	11.75	.39	.29	3.79	3.16	2.87	2.61
25LM047	D	BB	50 - 10K	-64	---	.39	.29	3.73	3.11	2.82	2.57
25LM048	A	BB	50 - 10K	-64	.98	.39	.29	4.00	3.22	2.93	2.66
25LM051	B	BB	50 - 10K	-64	5.9	.39	.29	3.79	3.16	2.87	2.61
252LM041	D	AA	50 - 8K	-64	---	.39	.22	3.39	2.82	2.57	2.33
252LM042	D	AA	50 - 10K	-64	---	.255	.22	4.17	3.50	3.16	2.88
252LM049	A	AA	20 - 12K	-64	.40	.39	.27	1.89	1.55	1.40	1.26

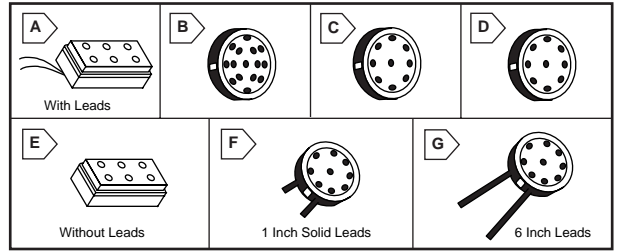


CRYSTAL AND CERAMIC MICROPHONE ELEMENTS

A wide variety of precision made aluminum high impedance cartridges can be used in a variety of OEM applications.

For quantities greater than listed, call for quote.

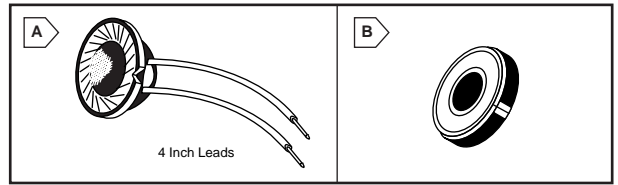
MOUSER STOCK NO.	Fig.	Type Element	Frequency Response (Hz)	Impedance (Ω)	Sensitivity (dB)	Dimensions (In)		Price Each			
						Dia.	Ht.	1	10	100	500
25LM021	A	Ceramic	100-7K	7K	-70	.85 x .59	.34	4.51	3.76	3.41	3.11
25LM022	B	Crystal	50-8K	25K	-55	1.38	.46	4.14	3.45	3.13	2.85
25LM023	C	Ceramic	30-15K	8K	-60	1.0	.39	4.31	3.59	3.26	2.97
25LM024	D	Crystal	50-8K	9K	-55	2.0	.65	4.90	4.08	3.71	3.38
25LM025	D	Crystal	30-15K	12K	-55	1.0	.42	4.51	3.76	3.42	3.11
25LM030	E	Ceramic	100-7K	7K	-70	.85 x .59	.34	4.14	3.45	3.13	2.85
25LM036	F	Ceramic	30-15K	8K	-60	1.0	.39	4.60	3.83	3.48	3.16
25LM037	G	Ceramic	30-15K	8K	-60	1.0	.39	4.60	3.83	3.48	3.16



DYNAMIC MICROPHONE ELEMENTS

- Can be used for a variety of OEM applications
- Can be used as replacement cartridges
- Low impedance

MOUSER STOCK NO.	Fig.	Magnet Type	Frequency Response (Hz)	Impedance (Ω)	Sensitivity (dB)	Dimensions (In)		Price Each			
						Dia.	Ht.	1	10	100	500
25LM026	A	Alnico	60-12K	500	-68	1.1	.51	5.10	4.31	3.92	Call
25LM032	B	Ferrite	100-20K	500	-97	1.2	.41	4.22	3.52	3.20	For Quote
25LM035	B	Ferrite	150-12K	32	-80	1.1	.35	4.38	3.65	3.32	



ULTRASONIC TRANSDUCERS

- Center frequency: 40KHz \pm 1.0KHz

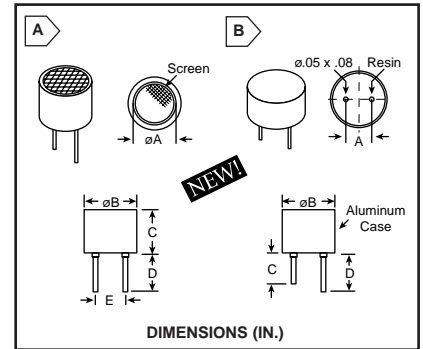
For quantities greater than listed, call for quote.

MOUSER STOCK NO.	Fig.	Description	SPL Min. (dB)	Sensitivity Min. (dB)	Bandwidth (KHz)	Max. Input Voltage	Dimensions (In.)					Price Each			
							A	B	C	D	E	1	10	50	100
251-1603	A	Pulse Transit	105	-53	2	20	.51	.64	.48	.39	.39	5.89	4.95	4.39	3.99

- Center frequency: 40KHz \pm 1.0KHz

For quantities greater than listed, call for quote.

MOUSER STOCK NO.	Fig.	Description	SPL Min. (dB)	Sensitivity Min. (dB)	Bandwidth (KHz)	Max. Input Power	Dimensions (In.)					Price Each			
							A	B	C	D	E	1	10	50	100
255-400SR12	A	Receiver	---	-67	2	0.2W	.39	.50	.39	.39	.33	5.80	4.87	4.32	3.93
255-400ST12	A	Transmitter	115	---	2	0.2W	.39	.50	.39	.39	.33	5.80	4.87	4.32	3.93
255-400SR16	A	Receiver	---	-65	2.5	0.2W	.47	.64	.47	.39	.39	4.90	4.08	3.55	2.96
255-400ST16	A	Transmitter	119	---	2	0.2W	.47	.64	.47	.39	.39	4.90	4.08	3.55	2.96
255-400ER18	B	Receiver	---	-70	1.5	0.2W	.45	.71	.53	.69	---	9.66	8.11	7.19	6.54
255-400ET18	B	Transmitter	115	---	1.5	0.2W	.45	.71	.53	.69	---	9.66	8.11	7.19	6.54



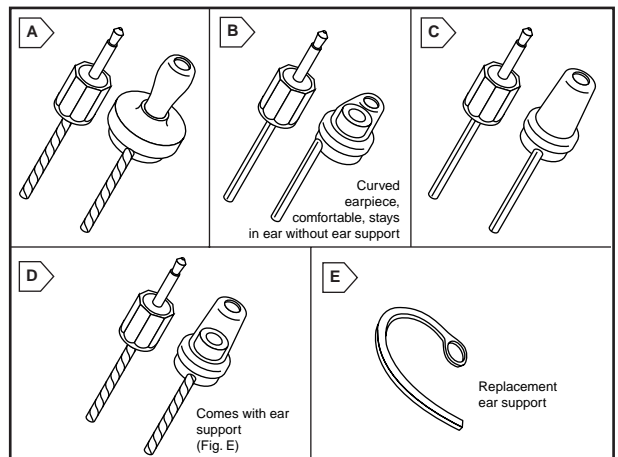
EARPHONES

* Earphones not for use with Replacement Ear Support

MOUSER STOCK NO.	Fig.	Type	Impedance (Ω)	Plug	Cord Length (Ft)	Color	Price Each			
							1	10	100	500
25CR025	A	Ceramic	20M min.	2.5mm	3	Tan	2.03	1.69	1.54	1.40
25CR035	A	Ceramic	20M min.	3.5mm	3	Tan	2.03	1.69	1.54	1.40
25CR060	A	Ceramic	20M min.	Tinned	3	Tan	1.85	1.54	1.39	1.27
25DE024	B	Dynamic	8 \pm 20%	2.5mm	6	Gray	1.40	1.09	.99	.90
25DE025	C	Dynamic	8 \pm 20%	2.5mm	3	White	.80	.67	.61	.55
25DE026	C	Dynamic	8 \pm 20%	2.5mm	6	White	1.03	.83	.76	.69
25DE027	C	Dynamic	8 \pm 20%	2.5mm	3	Black	.80	.67	.61	.55
25DE128	D	Dynamic	15 \pm 20%	2.5mm	6	Flesh	1.48	1.23	1.11	1.01
25DE034	B	Dynamic	8 \pm 20%	3.5mm	6	Gray	1.30	1.08	.99	.90
25DE035	B	Dynamic	8 \pm 20%	3.5mm	3	Gray	1.21	1.01	.92	.84
25DE136	D	Dynamic	8 \pm 20%	3.5mm	3	Flesh	1.27	1.06	.96	.88
25DE138	D	Dynamic	15 \pm 20%	3.5mm	6	Flesh	1.63	1.36	1.24	1.13
25DE139	D	Dynamic	1K \pm 20%	3.5mm	3	Flesh	1.63	1.36	1.24	1.13

Replacement Ear Support

MOUSER STOCK NO.	Fig.	Description	Price Each			
			1	10	100	500
25DE001	E	White ear support	.11	.09	.06	.05
25DE002	E	Flesh ear support	.11	.09	.06	.05



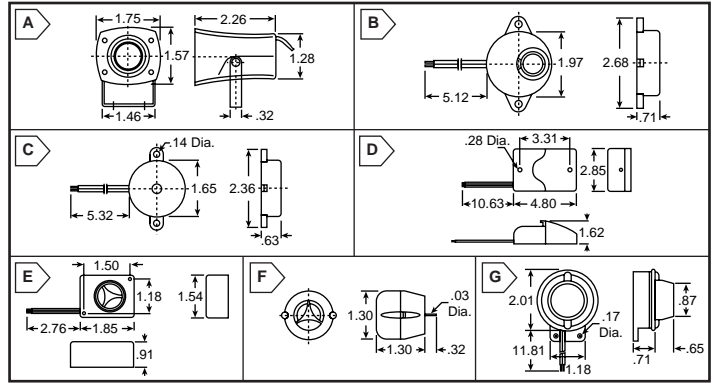
Audible Signal Devices

MALLOY SIRENS

DIMENSIONS (IN.)

For quantities greater than listed, call for quote.

MOUSER STOCK NO.	Fig.	Tone	Operating Frequency (KHz)	Operating Voltage (VDC)	Current (max.) mA	Sound Pressure dB (min.)	Price Each		
							1	10	25
539-PS520	A	Constant	3.0±.5	7-15	200	105	14.17	11.96	9.28
539-PS521	A	Pulse	3.0±.5	7-15	200	105	14.17	11.96	9.28
539-PS522	A	Hi-Low	2.5 / 3.5	7-15	200	105	14.17	11.96	9.28
539-PS523	A	Sweep	1.5-3.5	7-15	200	105	14.17	11.96	9.28
539-PS580	B	Constant	2.8±.5	6-14	150	100	13.79	11.64	9.03
539-PS562	C	Hi-Low	2.5 / 3.5	7-15	40	100	8.52	7.20	5.58
539-PS583	B	Sweep	1.5-3.5	6-14	150	100	13.79	11.64	9.03
539-PS913	D	Sweep	1.5-3.5	11-14	250	105	28.84	24.34	18.89
539-PS723A	E	Sweep	1.5-3.5	6-14	150	108	9.09	7.68	5.95
539-PS953	F	Sweep	2-3.5	6-14	120	105	8.46	7.14	5.54
539-PS983	G	Sweep	2-3.5	6-14	150	105	15.04	12.70	9.86



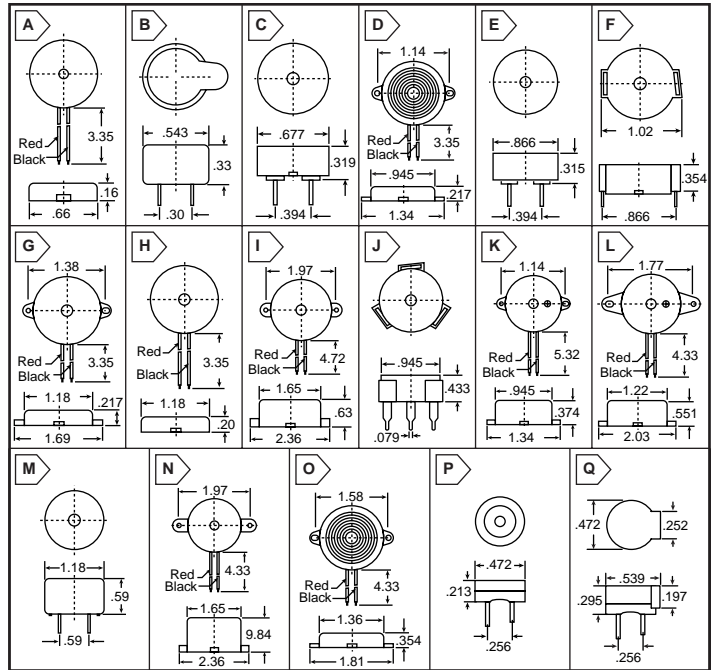
KOBITONE™ OBO AUDIO COMPANY PIEZOELECTRIC

DIMENSIONS (IN.)

† Pulse tone

For quantities greater than listed, call for quote.

MOUSER STOCK NO.	Fig.	No. of Pins / Leads	Res. Freq. (Hz)	Voltage (max.)	Current (max.) mA	Sound Pressure dB (min.)	Price Each		
							1	10	100
Buzzer, External Drive									
254-152	A	2 pins	4000	30Vp-p	3@9Vp-p	80	1.42	1.18	1.07
254-15230	B	2 pins	3200	15Vp-p	3@9Vp-p	80	2.84	2.36	2.15
254-15240	C	2 pins	4096	20Vp-p	3@9Vp-p	80	1.42	1.18	1.07
254-202	D	2 wires	5000	30Vp-p	3@9Vp-p	90	1.42	1.18	1.07
254-20205	E	2 pins	4096	30Vp-p	3@9Vp-p	80	1.42	1.18	1.07
254-25220	F	2 pins	2000	15Vp-p	3@9Vp-p	80	1.93	1.61	1.47
254-272	G	2 wires	4400	30Vp-p	3@9Vp-p	90	1.42	1.18	1.07
254-27221	H	2 wires	3500	30Vp-p	3@9Vp-p	90	1.67	1.39	1.27
254-352	I	2 wires	2500	30Vp-p	3@9Vp-p	90	2.57	2.14	1.95
Buzzer, Self Drive									
254-20335	J	3 pins	3400	3-30VDC	6@6VDC	90	2.11	1.76	1.59
254-273	G	3 wires	4400	3-30VDC	6@6VDC	85	1.42	1.18	1.07
254-27346	H	3 wires	4400	3-30VDC	6@6VDC	85	1.54	1.30	1.17
254-353	I	2 wires	2800	3-30VDC	6@6VDC	90	2.57	2.14	1.95
Buzzer, Drive Circuit Built-In Type									
254-15210	B	2 pins	4000	3-15VDC	6@6VDC	90	3.85	3.20	2.91
254-20C6	K	2 pins	3400	3-30VDC	6@6VDC	80	3.85	3.20	2.92
254-27C0	L	2 pins	3500	3-20VDC	6@6VDC	100	4.62	3.84	3.49
254-27P2	M	2 pins	3400	6-24VDC	3@9VDC	90	5.93	4.94	4.49
254-35C1	I	2 pins	2800	3-30VDC	6@6VDC	90	4.62	3.84	3.49
254-35C5	N	2 pins	2800	3-15VDC	40@6VDC	110	6.16	5.13	4.67
Telephone Ringer									
254-35T2	O	2 wires	1200	40Vp-p	3@9Vp-p	80	1.60	1.34	1.21
Magnetic Transducers									
254-12GP	P	2 pins	2048	2VDC	30	85	1.60	1.34	1.21
254-12AMP-01B	P	2 pins	2048	2VDC	10	70	1.60	1.34	1.21
254-12NEP-01B	Q	2 pins	2731	2VDC	70	85	1.60	1.34	1.21

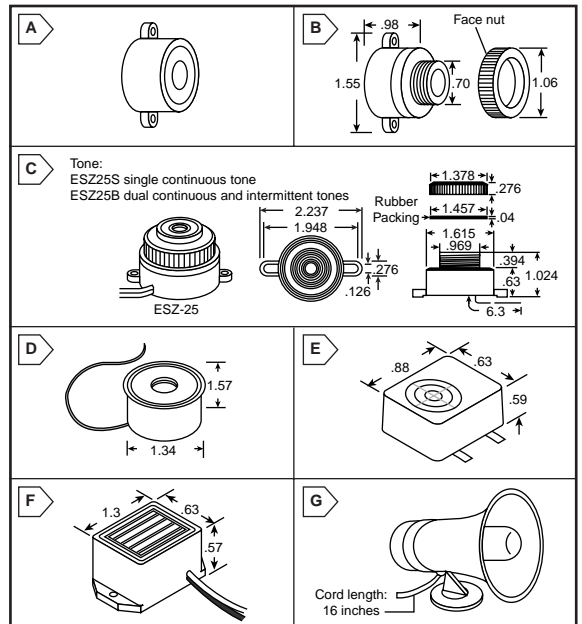


PIEZO-A-LERT



DIMENSIONS (IN.)

MOUSER STOCK NO.	Fig.	Description	Operating Voltage VDC		Sound Pressure dB (A) @ 2 ft.	Current Drain (mA)	Price Each				
			Min.	Max.			1	10	25	50	
* 507-PAL328	A	W/out face nut	3.0DC	28.0DC	68	100	20	7.60	7.13	6.89	6.65
* 507-PAL328N	B	W/face nut	3.0DC	28.0DC	68	100	20	7.92	7.43	7.18	6.93
507-ESZ25S	C	Single tone	3.0DC	28.0DC	68	100	20	10.56	9.90	9.57	9.24
507-ESZ25B	C	Dual tone	3.0DC	28.0DC	68	100	20	13.36	12.53	12.11	11.69



MINIATURE DC BUZZERS

MOUSER STOCK NO.	Fig.	Operating Voltage (V)		Current Drain (mA)	Price Each			
		Min.	Max.		1	10	100	500
25BL006	D	3.0DC	6.0DC	100	3.28	2.71	2.42	2.25
25BL012	D	7.0DC	12.0DC	60	3.28	2.71	2.42	2.25

SOLID STATE BUZZERS

MOUSER STOCK NO.	Fig.	Voltage DC	Operating Voltage (V) DC		Sound Pressure dB (A) @ 2 ft.	Current Drain (mA)	Price Each			
			Min.	Max.			1	10	100	500
251-0012	E	12	8	16	75	25	2.96	2.47	2.24	2.04
251-0103	F	3	2	4	75	15	2.61	2.18	1.98	1.80
251-0106	F	6	3	7	75	20	2.61	2.18	1.98	1.80
251-0112	F	12	7	17	75	15	2.61	2.18	1.98	1.80

ELECTRONIC SIREN • Standard 6 to 12 volt power requirements allow use with 6, 7 1/2, 8, 9, and 12 volt systems

MOUSER STOCK NO.	Fig.	Size (In.)	Operating Voltage (V)		Current Drain (mA)	Price Each	
			Min.	Max.		1	10
25BR540	G	5.25 x 6	6DC	12DC	600	13.50	12.05